



AT&T Encryption Services

November 2016



Drivers for Data Protection

Reasons to implement email and data encryption

Intellectual property leak prevention

- Electronic intellectual property
- Ease of access to electronic data
- Internal and external access to intellectual property

Corporate governance

- Corporate scandals
- Regulatory pressures
- Shareholder's demand for better accountability

Brand protection

- Negative publicity
- Loss of customer confidence
- Litigation

Improving your bottom line

- Zero to low capital costs
- Rapid deployment
- Minimum operational requirements



Why AT&T Encryption Services?

- Helps protect customer sensitive data/information from unauthorized access
- Inability to decrypt and read data even if hackers gain access to data file
- Flexible deployment models for virtually any size organization
- Centrally deployed and managed
- Helps with compliance toward business security, industry standards, and government regulations



Business security issues and concerns

Real world examples of data leakage

- An employee walking out of the aerospace manufacturer's facilities with digital intellectual property on their laptop – the company estimated could result in \$15 billion in damages
- US government employees and outside contractors sharing more than 200 sensitive documents over publicly accessible peer-to-peer networks
- More than 40,000 credit card numbers being stolen from retailer due to a computer system intrusion

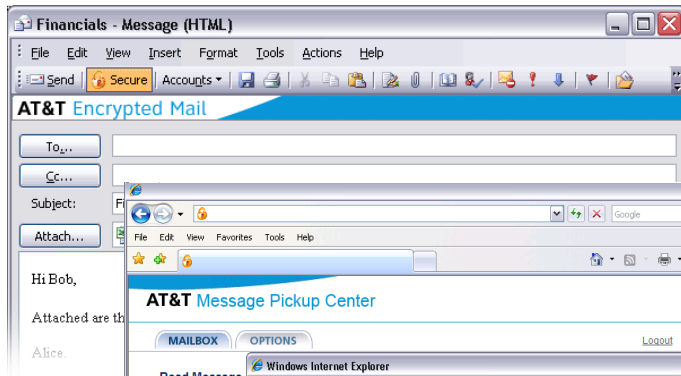


Top-of-mind data loss issues for enterprise IT executives that responded to The Yankee Group 2007 Anywhere Access Survey

- Nearly 25% cited data loss as top concern for supporting large mobile and remote workforces
- 30% suffered as much as \$500k in losses from data loss
- 16% loss \$1 million or more

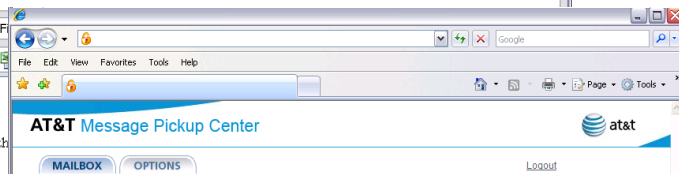


AES – Email and Document Delivery



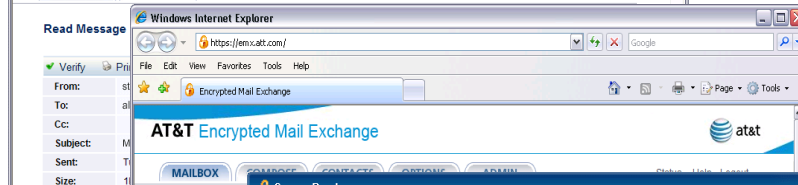
Encrypted Mail

Simple email encryption for Outlook, Notes and webmail at the desktop



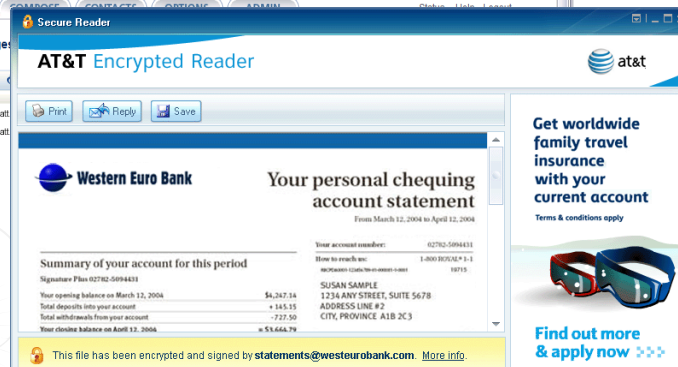
Encrypted Mail Gateway

Policy-driven encryption at gateway email servers, transparent to email users and email client agnostic



Encrypted Mail Exchange

Helps protect web-based email among specified email communities



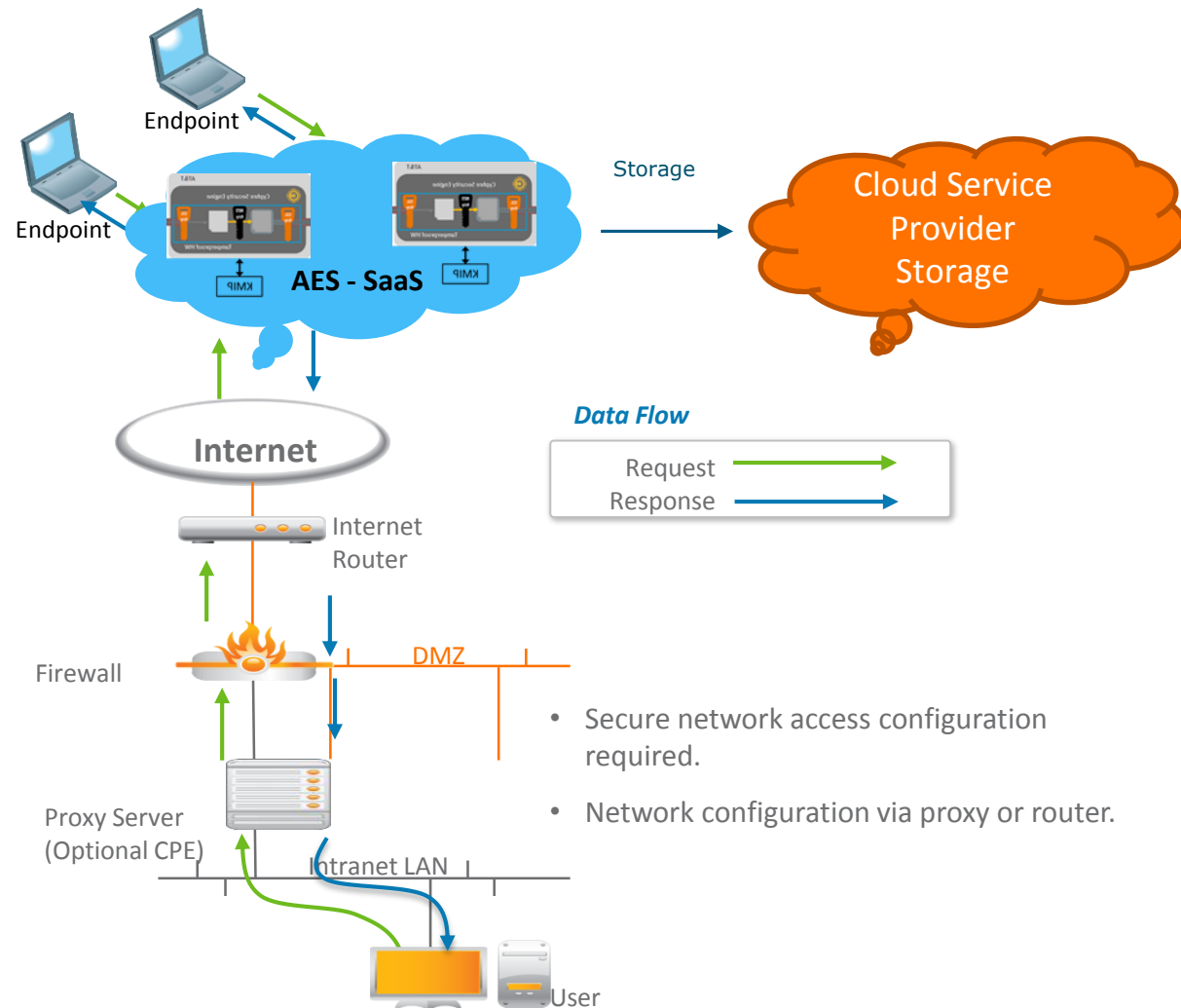
Encrypted Document Delivery

Electronic encrypted messaging replaces sensitive paper-based communications



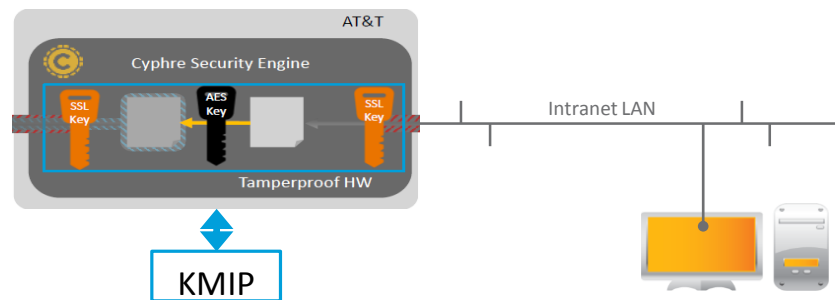
AES – SaaS

- Enables users to encrypt data/files for transport to the Cloud Service Provider, and/or return to the users
- Each Customer is assigned a unique Master Key
- Master key generates unique key for each user. Master key and user key are required for encryption
- AT&T manages the encryption hardware and keys needed for the encryption
- AT&T manages key revocation and recovery
- Supports files (e.g., Words, Spreadsheet, Image, etc.). Does not support structured data (e.g., Oracle Database).
- Allows encrypted file sharing with others
- AES – SaaS customers can use shared encryption resources or utilize dedicated resources



AES – Customer Premise Equipment (CPE)

- Enables customers to encrypt data/files utilizing dedicated on premise encryption function to help improve performance and privacy
- Each Customer is assigned a unique Master Key
- Master key generates a unique key for each user. Master key and user key are required for encryption
- AT&T manages the encryption hardware and keys needed for the encryption
- AT&T manage key revocation and recovery
- Supports files (e.g., Words, Spreadsheet, Image, etc.). Does not support structured data (e.g., Oracle Database).
- Allows encrypted file sharing with others



Security Reports available can be accessible by the Customer Central Point of Contact (Customer CPOC) include:

- Availability
- Performance
- Utilization
- High volume anomaly and security events



Why AT&T Managed Security Services?

Enhanced Performance

Best in class services with global reach help protect important assets against internal and external threats

Increased Agility

Industry standards for developing, scaling, and deploying advanced networking and security solutions

Responsive Control

Robust set of end-to-end security services to assess, detect, help protect, and respond to suspicious events

Predictive Security

Defense-in-depth strategy with full suite of managed security services

Meaningful Innovation

Leader in network-based security and with continuous development in new and innovative solutions



MOBILIZING
YOUR
WORLDSM

